

Checklist RFQ E-Mobility Automotive

Stäubli Unit
Sales Engineer
Date

1. Customer Information

End customer OEM	Supply chain
Direct customer	Application
CRM opportunity	Lifetime

2. Timing

Quote	<input type="checkbox"/> Non-Binding <input type="checkbox"/> Binding	Nomination
A-Samples		PPAP
B-Samples		SOP
C-Samples		EOP

3. Volumes

Product	Timing									Total
Total										
Volume Flexibility										

4. Pricing

Target Price	After sales price
LTA's	Cost-Break-Down
Prototype price	Estimated turnover LT

5. Investment

Specific Tooling cost

Tooling cost amortized in piece price

Manufacturing equipment cost

6. Documents

Statement of Work Yes No TBDQuality Agreements Yes No TBDIATF16949 requested Yes No TBDPurchasing Agreements: Yes No TBD

7. General information/Description of application

Description of application

Why will a flexible connection be required here?

Is there already a solution? Yes NoNDA required? Yes No

8. Electrical data

 Direct current (DC) Alternat. current (AC)

Frequency f

Hz

Rated current I A

Rated voltage U V

Short circuit current (r.m.s. value) I_k A t_k s

Test voltage (50Hz/1min.) U V

Rated peak current (peak value) i_p A

9. Ambient conditions

Min. ambient Temperature °C

Max. ambient Temperature °C

Air Water Aggressive atmosphere

Relative humidity %

Oil Other Vibrations Hz / g

10. Type of connector

Plug, round Rack and panel connector With locking Socket, round Rotary contact With coding Fork type, for bus bars Multi-pole Other types Flat type

Number of poles

11. Connections/Mounting

Screwed/bolted termination Crimp Other Soldering Pressfit Ultrasonic welding

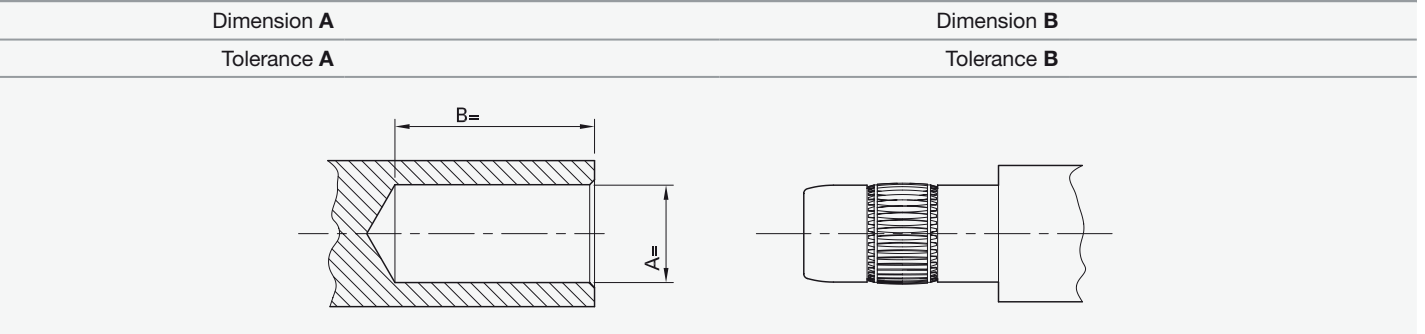
12. Material and dimensions of conductor

<input type="checkbox"/> Cable	Type of wire class	<input type="checkbox"/> Busbar			
Cable designation	Material	Material			
	Cross-section	mm ²	Dimensions	mm x	mm

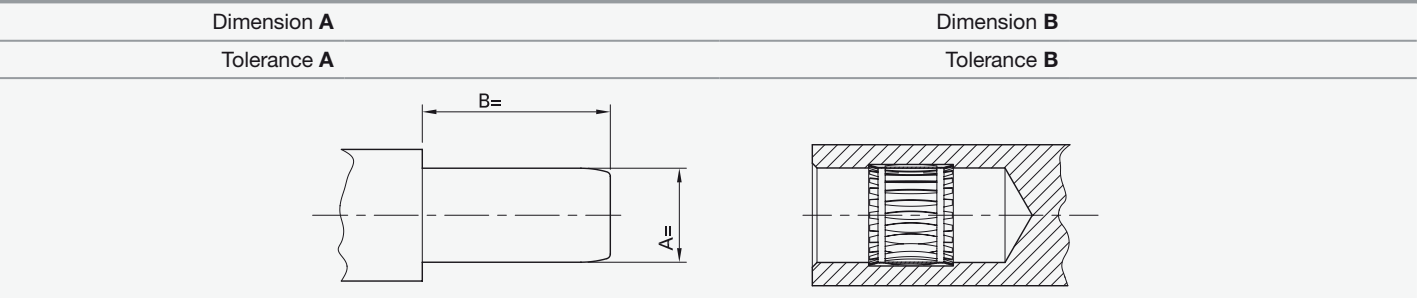
13. Mechanical data

Contact making part	<input type="checkbox"/> Borehole	<input type="checkbox"/> Pin	<input type="checkbox"/> Busbar		
<input type="checkbox"/> Plugging movement	Number per	Material			
Cycles <input type="checkbox"/> Sliding movement	Total				
<input type="checkbox"/> Rotary movement	Travel	mm/	m/sec	Electroplating	µm
Angle	° Number of revolutions			max. sliding force	N
max. torque	Rotary speed	rpm	Max. operating temp.		°C

14. Dimensions of borehole (mm)



14. Dimensions of pin (mm)



14. Dimensions of busbar (mm)

