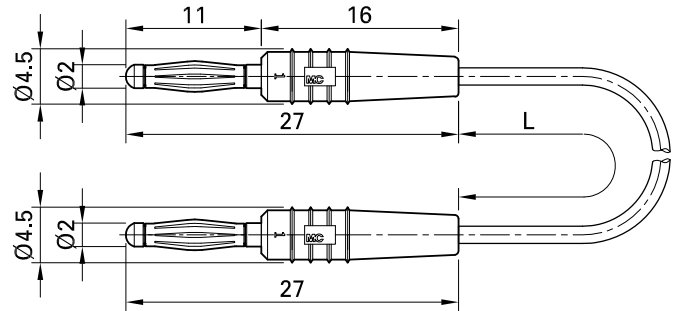


LK205-L



Data sheet LK205-L 02.2022

Item number 28.0047-*

Highly flexible with in-line Ø 2 mm MULTILAM plugs on both ends.

Technical data	
Diameter of plug system	2 mm
Rated Values	30 V, 10 A / 60 V, 10 A
Surface treatment electrical contact	Au
Base material electrical contact	CuZn
Standard color(s) *	<input type="checkbox"/> 21 <input type="checkbox"/> 22 <input type="checkbox"/> 23 <input type="checkbox"/> 24 <input type="checkbox"/> 25 <input type="checkbox"/> 26 <input type="checkbox"/> 28
Optional color(s)	<input type="checkbox"/> 29
Lead lengths <input type="text"/>	007; 015; 030; 045; 060 cm
Lead insulation	PVC
Lead cross section	0,5 mm ²
Test accessory acc. to	IEC EN 61010-031
User-Information	I 093