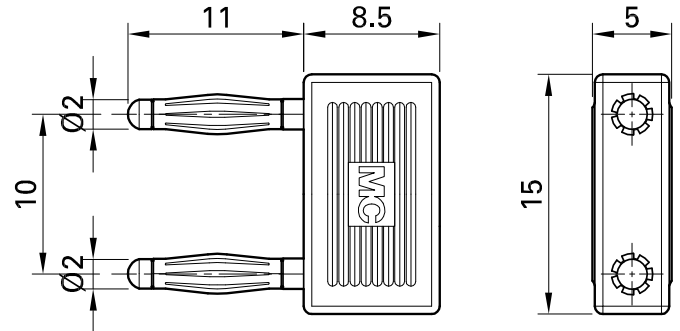


KS2-10L/1



Item number 24.0043-*

Insulated, Ø 2 mm, made of brass, one piece and with spring-loaded MULTILAM.

| Technical data | |
|--------------------------------------|-------------------------|
| Diameter of plug system | 2 mm |
| Rated Values | 30 V, 10 A / 60 V, 10 A |
| Surface treatment electrical contact | Au |
| Base material electrical contact | CuZn |
| Standard color(s) * | 29 |
| Plug spacing | 10 mm |
| Test accessory acc. to | IEC EN 61010-031 |
| User-Information | I 093 |