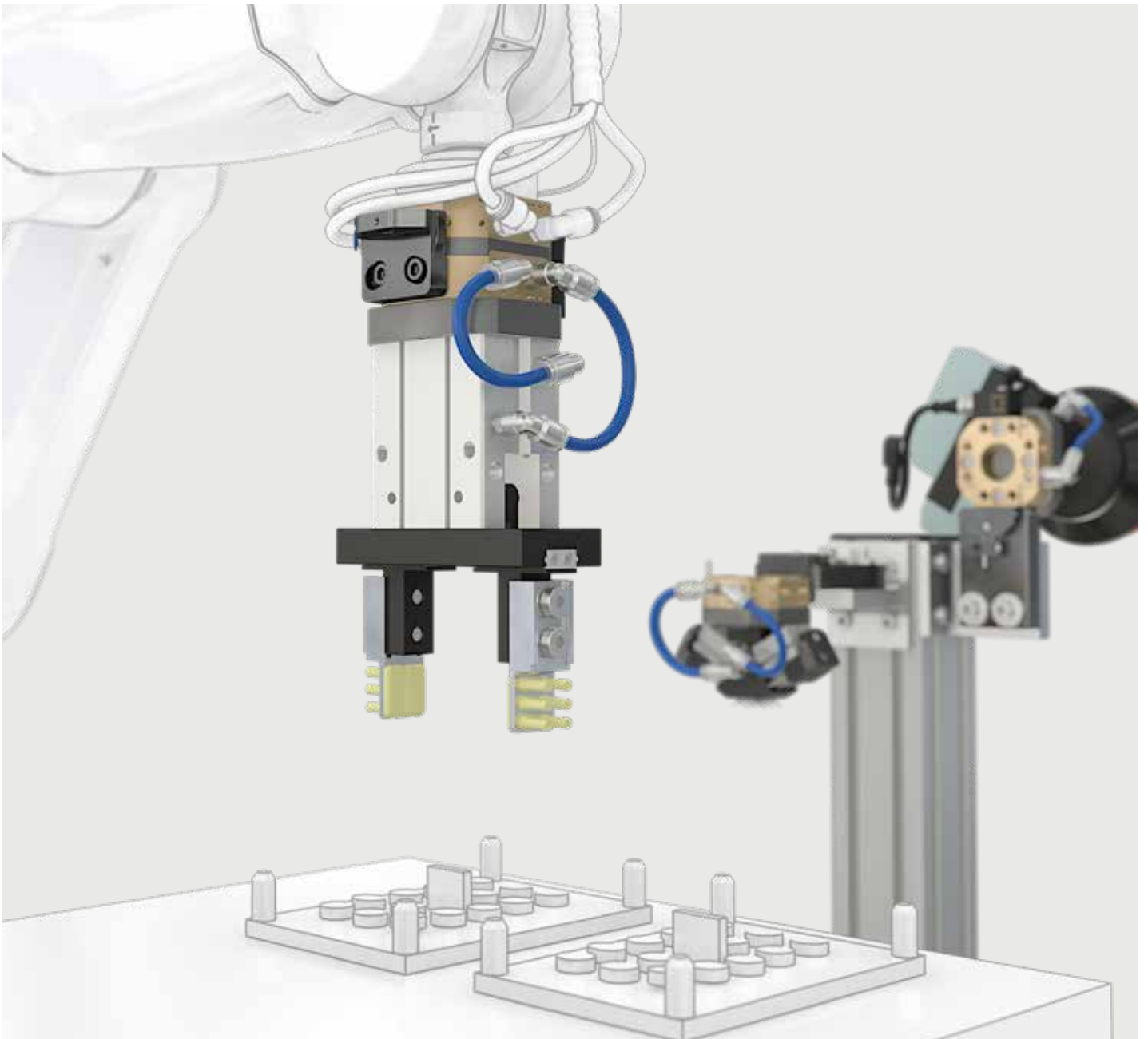


MPS

Robotic tool changing systems for all applications

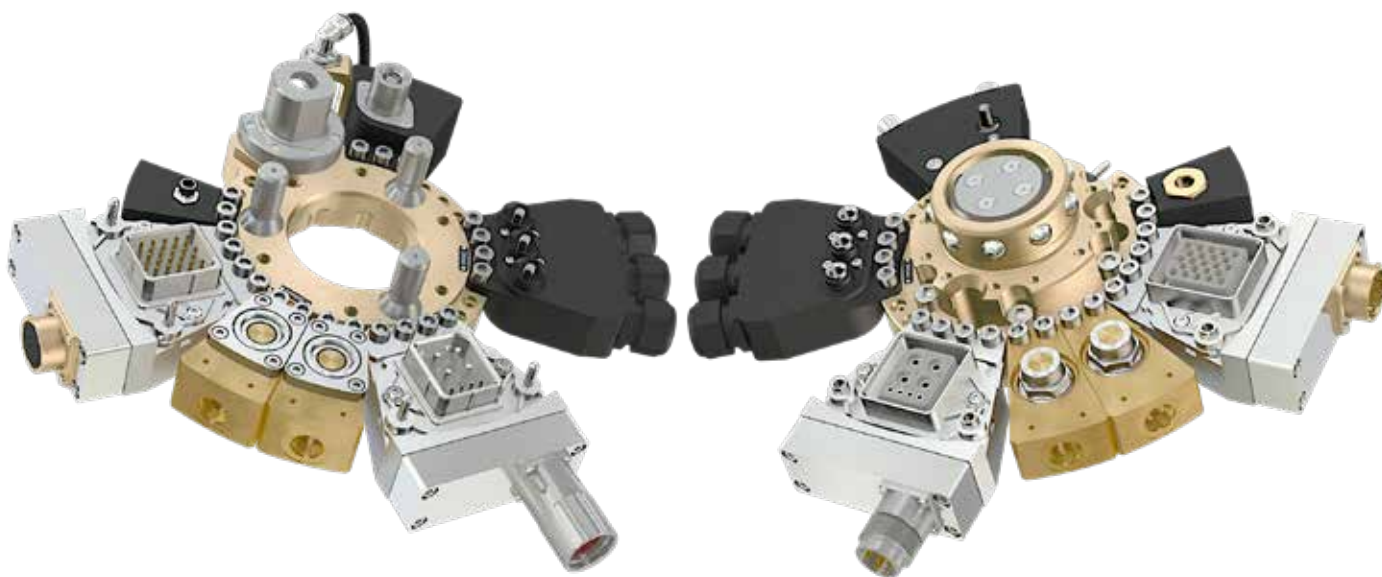
Productivity for all industrial sectors





MPS ROBOTIC TOOL CHANGING SYSTEMS

For all robots, all payloads and all applications



Stäubli is a provider of mechatronic solutions operating worldwide who is represented in 50 countries on four continents. With more than 5,500 employees, we maintain partnerships with customers from almost all sectors of industry. Stäubli is the global technology leader with many years of expertise in the construction and development of robot tool changing systems.

Tool change for all robots

The modular robot tool changing systems from Stäubli are designed for all robots and payloads. No matter which manufacturer and robot type: Our MPS systems can be installed on any industrial robot worldwide.

Solutions for any robot application

Due to the modular product design, MPS tool change systems cover the entire spectrum of possible applications. All media and signal connections can be integrated via the versatile MPS product program. MPS systems can be adapted to new requirements at any time.

Productivity for your applications

This flexibility of the media and signal connections, together with the quick changing cycles and the high process reliability of the MPS systems, ensure high productivity. The service-friendly design makes maintenance particularly easy and minimises potential downtimes.

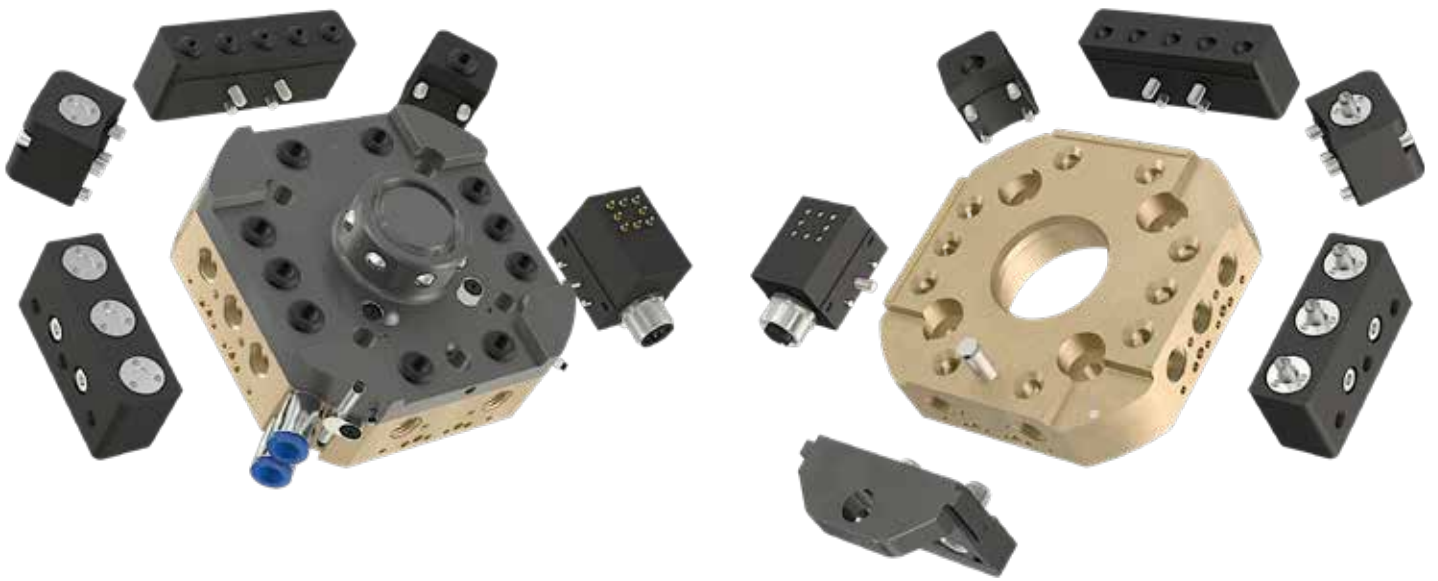
System solutions with gripper technology

In close cooperation with the end of arm tooling specialists FIPA, Stäubli provides system solutions adapted for gripper applications. Benefit from comprehensive system solutions which are ideally suitable to your application.

Global presence

Stäubli is represented around the globe with subsidiaries who have detailed knowledge. This ensures the best advice and quick reaction times. Through this tight network, our extensive after-sales services, such as the comprehensive MPS training concept, are also available locally worldwide.

Our solutions – as flexible as your processes



The MPS robotic tool changing systems stand for the highest precision, efficiency and flexibility. The very broad range of sizes and the modular product concept guarantee that an ideal tool changing solution from Stäubli is available for any robot and any application worldwide.

Powerful, high-precision locking unit

Tool changing systems from Stäubli ensure an absolutely precise, stable connection between the robot and tool side. You benefit from precise repeatability in the changer system. Even if there is a high number of changing cycles, an extremely precise positioning of your tools is guaranteed.

Standardised docking technology

Stäubli provides integrated solutions for the secure docking of tools as part of the changing process. Appropriate docking stations with optional tool support are available for any MPS size. Furthermore, individual components are available for integration into your applications.

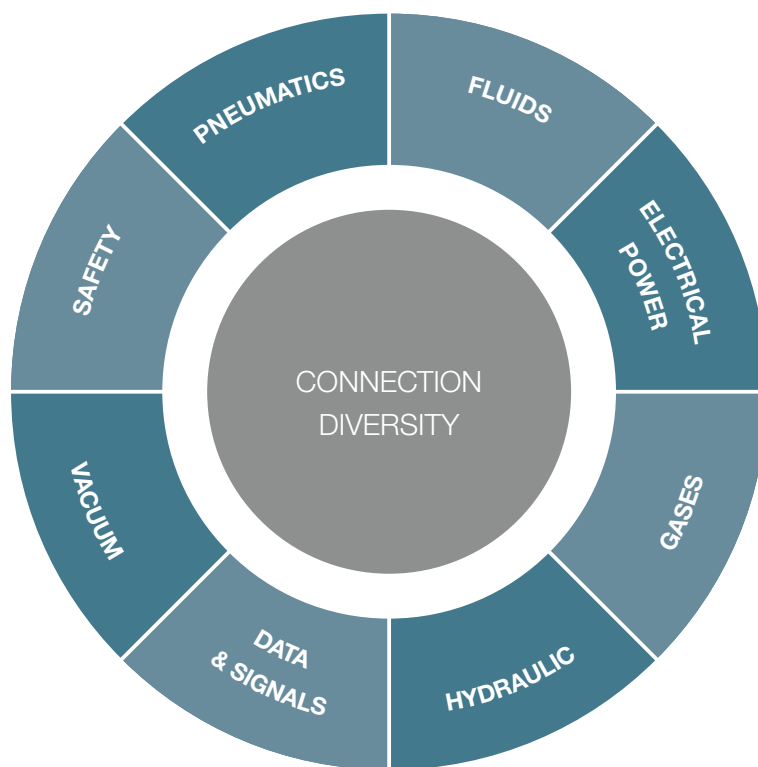
Extensive product programme

MPS systems can be provided in three possible solutions. With MPS COMPLETE, we provide – with the shortest delivery time – preconfigured, ready for use, tool changing systems for the most common manufacturing processes worldwide. With MPS MODULAR, a simple configuration schematic allows for individual and tailor-made combination of locking unit and available transfer modules into a fully assembled system.

Customer-specific individual solutions

With MPS CUSTOMIZED, you get a customer-specific design which is tailor-made to your special requirements in terms of all performance data, material qualities and connection options.

Multi-functionality – for diverse technology



The variety of usable transfer modules determine the efficiency of a robotic tool changing system. The wide range of technology in the MPS product concept covers the entire spectrum of possible robot applications and opens up the complete potential of the robot for you.

Transfer modules for your production technologies

From simple handling applications to the most diverse welding methods as well as punch rivets, screws and adhesives to material transfer: The robotic tool changers from Stäubli ensure the highest technological diversity and are a guarantor for maximum productivity.

Absolute reliability

Both the media couplings as well as the electrical plug connections guarantee 100 % power transfer due to their highly-efficient design. MULTILAM technology, for example, ensures the lowest transfer resistance in the transmission of electrical signals – to high-power currents.

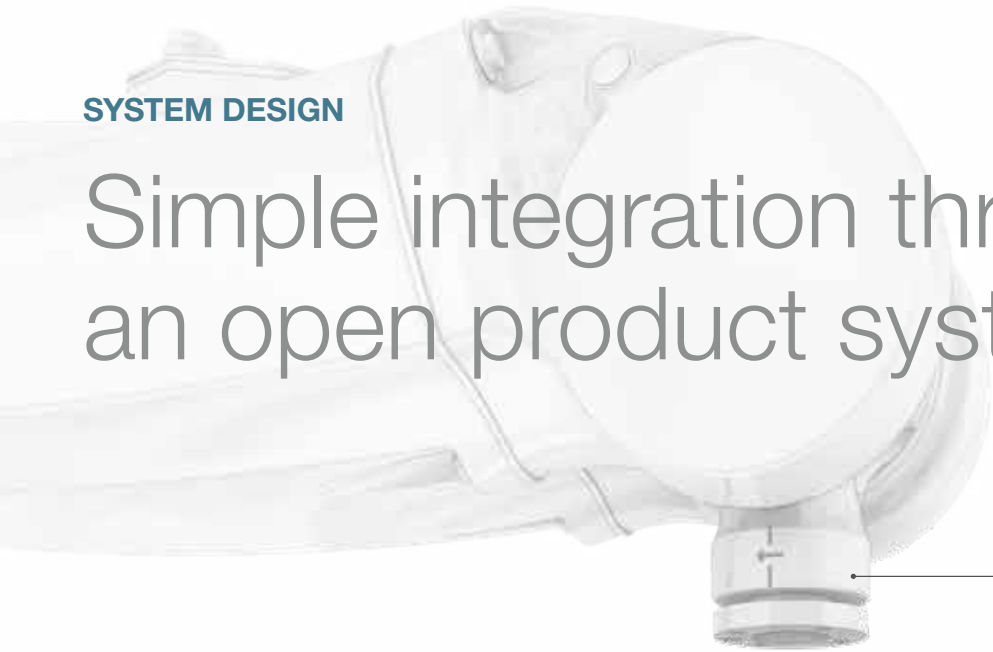
The fully developed valve technology of the transfer module for liquids and gases guarantees a high flow rate and prevents contaminants from entering the media. All transfer modules have an extremely long service life, even in the event of an extremely high number of plug cycles.

Flexibility even in the future

The functionality of the MPS robotic tool changing systems can be expanded flexibly at any time to include a wide range of technologies. As a technology leader in the area of coupling technology with decades of experience, Stäubli also designs individual coupling and connection solutions for very specific requirements.

SYSTEM DESIGN

Simple integration through an open product system



Robot
Flange ISO 9409

R

**Base unit
robot side**

Mounting on robot flange ISO 9409



For each MPS system size, a variety of transfer modules are available

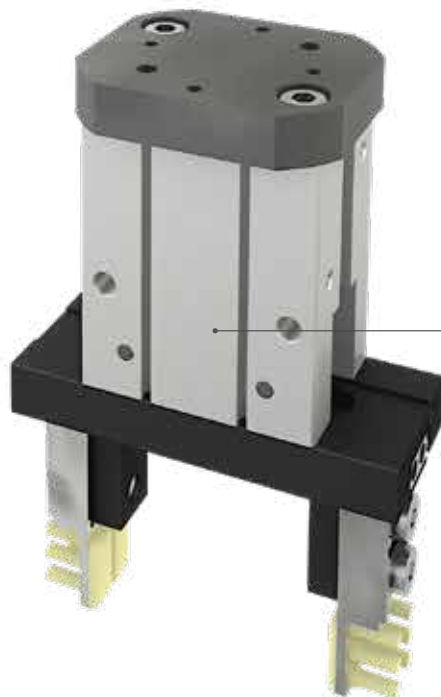
T

**Base unit
tool side**

Mounting on tool flange ISO 9409



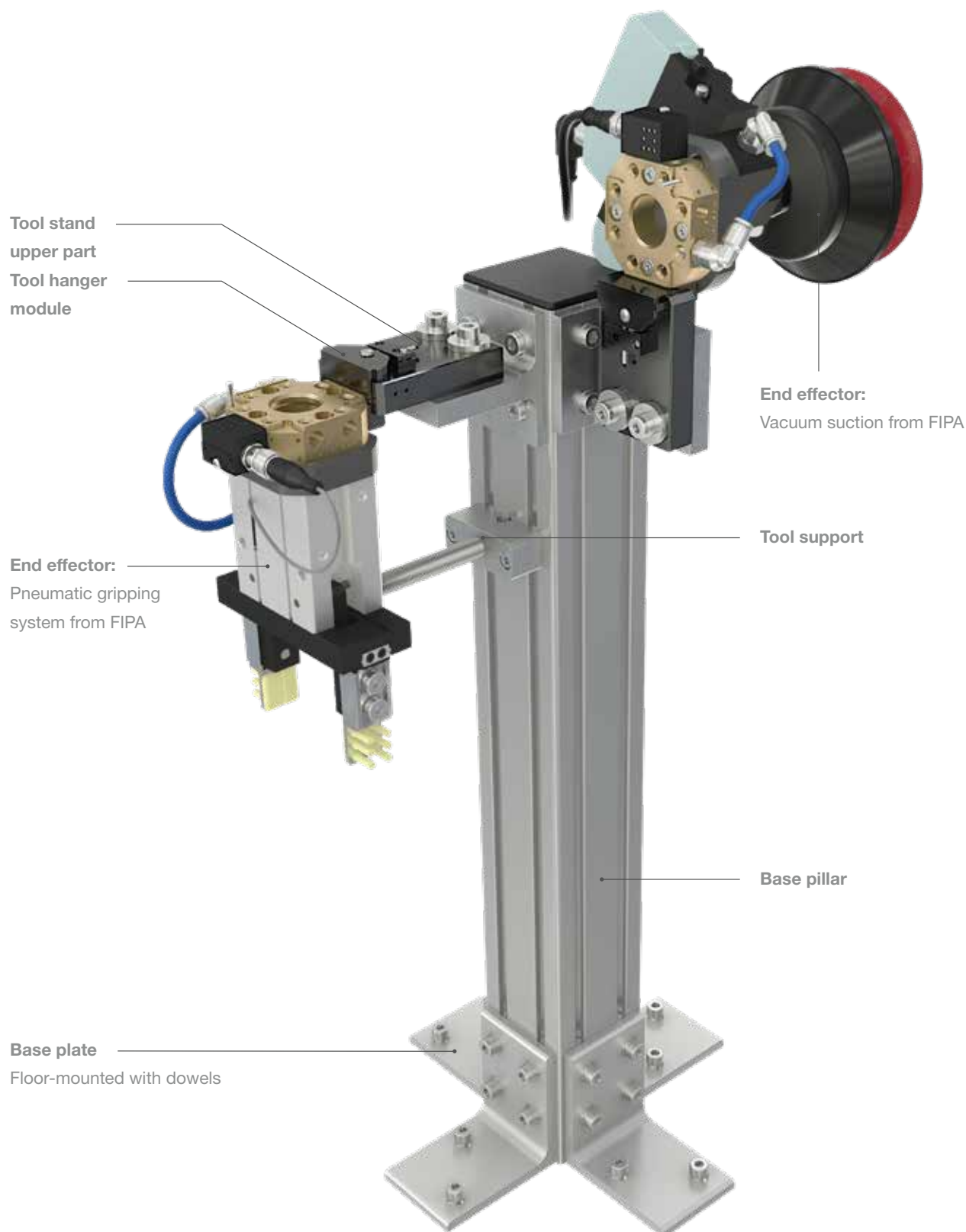
Transmission modules needed for the application



End effector
Pneumatic gripping system from FIPA

DOCKING TECHNOLOGY

Optimal connection for highly-efficient systems





TAILOR MADE FOR YOUR ROBOT APPLICATIONS

End-of-Arm-Tooling solutions for material handling

Stäubli offers comprehensive and highly flexible End-of-Arm-Tooling solutions for material handling in all automated manufacturing processes. Our broad portfolio makes technologies such as gripping, suction and cutting available for all robots worldwide from a single source – including manual or automatic robot tool change systems.



Always a tailor-made solution for your requirements

Need an experienced partner for your End-of-Arm-Tooling? Our project planning team can support you with the complete design based on your application requirements. Take advantage of our all-round service, from CAD planning through to installation.



Broad technology portfolio for material handling from a single source

The combined use of gripping, suction, cutting and tool changing is an everyday requirement in material handling. Stäubli offers this complete End-of-Arm-Tooling range from a single source and for all robots worldwide.



Flexible and durable systems for lasting productivity

Stäubli stands for high-precision and high-quality products with a long service life. The flexibility of our solutions ensures the long-term usability of your investment over this service life – even if processes and requirements change.



The highest quality of advice and service, local to you, throughout the world

We are represented by subsidiaries in all global industrial centres. This enables us to implement comprehensive End-of-Arm-Tooling concepts for you and establish globally uniform standards.

The comprehensive expertise of our strategic cooperation partner FIPA is reflected in this Stäubli offer. FIPA is an internationally active company specialising in the development and manufacture of quality products and innovative system solutions for handling processes.



MPS SYSTEM SIZES

The appropriate system for any requirement



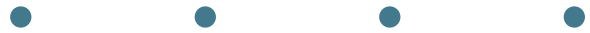
MPS 015 MPS 025 MPS 035 MPS 055

| | | | | |
|--------------|-------|-------|-------|-------|
| Max. payload | 10 kg | 20 kg | 35 kg | 55 kg |
|--------------|-------|-------|-------|-------|

| | | | | |
|--|-----------|---------|---------|---------|
| Flange sizes in accordance with ISO9401-1 | Ø 31.5 mm | Ø 40 mm | Ø 50 mm | Ø 63 mm |
|--|-----------|---------|---------|---------|

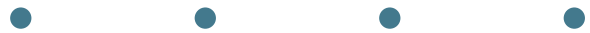
MPS COMPLETE

- preconfigured complete solutions
- shortest delivery times



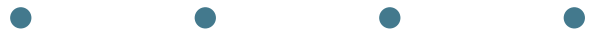
MPS MODULAR

- modular, configurable tool change systems
- delivered completely assembled



MPS CUSTOMIZED

- for complex applications
- specially developed and manufactured



| | | | | |
|---|---|---|---|---|
| System solution MPS and gripper technology | • | • | • | • |
|---|---|---|---|---|



| | | | | |
|----------------------|---|---|---|---|
| Tool docking systems | • | • | • | • |
|----------------------|---|---|---|---|



You can find detailed information about our series in separate brochures or at

www.staubli.com



MPS 080

MPS 130

MPS 260

MPS 631

MPS 1530

MPS 2531

80 kg

100 kg

350 kg

630 kg

1530 kg

2530 kg

Ø 80 mm

Ø 100 mm

Ø 125 mm

Ø 160 mm

Ø 200 mm

Ø 315 mm

●

●

●

●

-

-

●

●

●

●

-

-

●

●

●

●

●

●

●

●

●

●

○*

○*

●

●

●

●

●

●

* On request



● Staubli Units ○ Representatives/Agents

Global presence of the Staubli Group

www.staubli.com