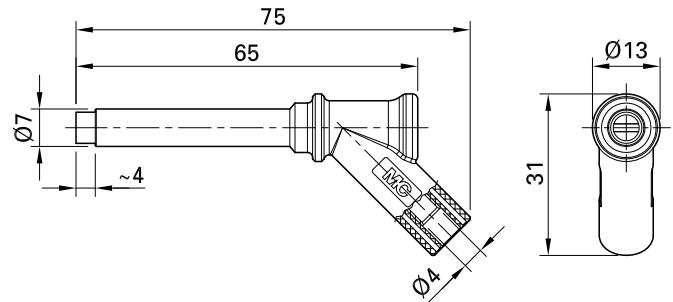
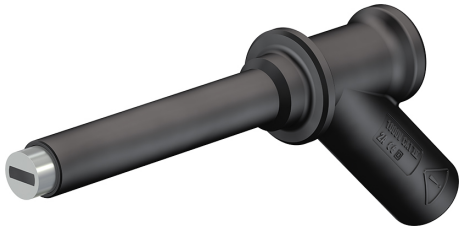


XMA-7L

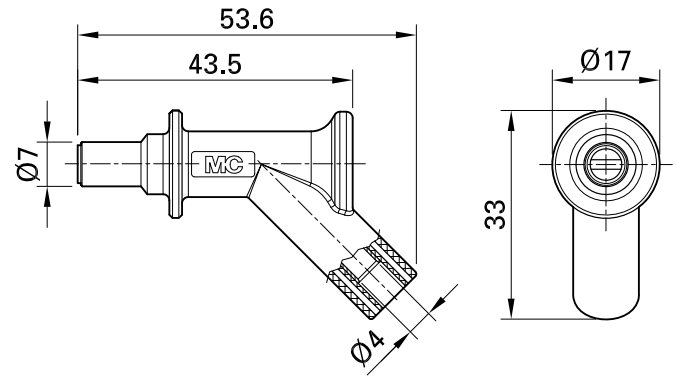


Item number 66.9509-*

For connection of screw heads with rigid \varnothing 4 mm socket in insulator, suitable for mating with spring-loaded \varnothing 4 mm plugs with rigid insulating sleeve.

Technical data	
Diameter of plug system	4 mm
Rated Values	1000 V, CAT IV, 2 A
Surface treatment electrical contact	Ni
Standard color(s) *	21 22 23
Diameter magnet	7.0 mm
Test accessory acc. to	IEC EN 61010-031
User-Information	I 500
Approvals	CE

XMA-7

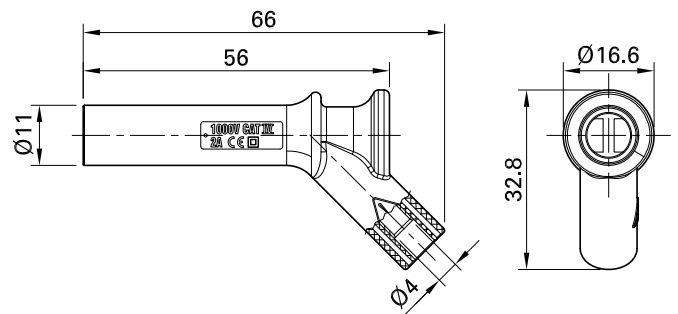


Item number 66.9516-*

For connection of screw heads with rigid Ø 4 mm socket in insulator, suitable for mating with spring-loaded Ø 4 mm plugs with rigid insulating sleeve.

Technical data	
Diameter of plug system	4 mm
Rated Values	1000 V, CAT III, 2 A
Surface treatment electrical contact	Ni
Standard color(s) *	21 22 23
Diameter magnet	7.0 mm
Test accessory acc. to	IEC EN 61010-031
User-Information	I 500
Approvals	CE

XMA-11



Item number 66.9515-*

For connection of screw heads with rigid Ø 4 mm socket in insulator, suitable for mating with spring-loaded Ø 4 mm plugs with rigid insulating sleeve.

Technical data	
Diameter of plug system	4 mm
Rated Values	1000 V, CAT IV, 2 A
Surface treatment electrical contact	Ni
Standard color(s) *	21 22 23 24 25 28 29
Diameter magnet	11.0 mm
Test accessory acc. to	IEC EN 61010-031
User-Information	I500
Approvals	CE