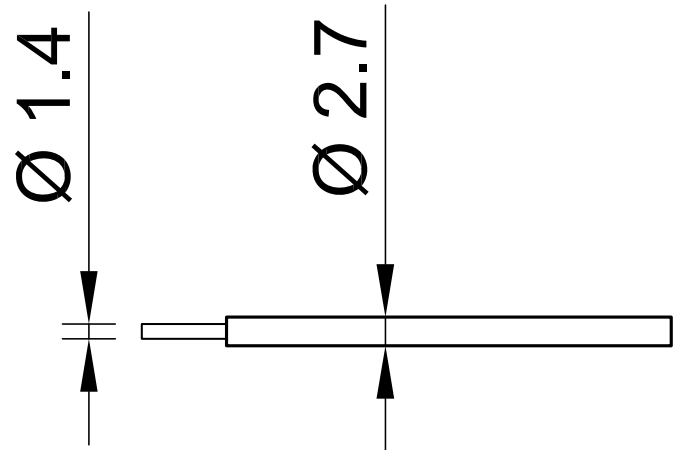


PLAST-E 1,0



Item number 60.7190-*

Highly flexible basic insulated stranded wire 1,0 mm².

Technical data	
Rated Values	AC 750 V, 19 A
Standard color(s) *	21 22 23 24 29
Lead insulation	TPE
Temperature range	-30 °C ... +90 °C
Strand design (n x Ø mm)	259 x 0,07
Lead weight	13.0 kg/km
Conductor diameter	1.4 mm
Cable diameter	2.7 mm
Insulation thickness	0.65 mm
Approvals	CE, UKCA, EAC