

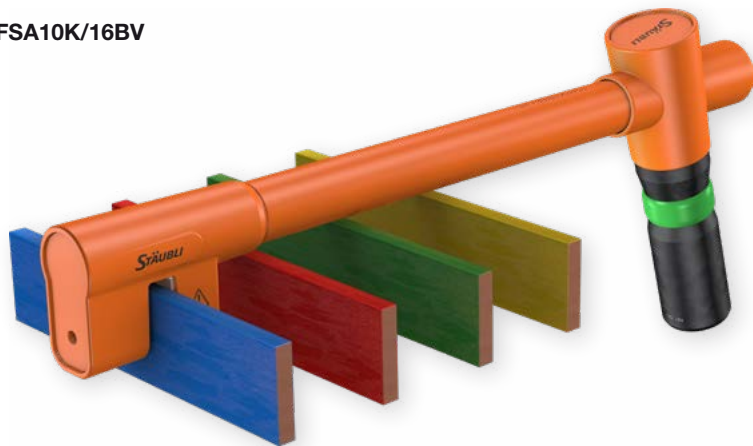
Rapid Connection System FSA10K/16BV

Utilitiesline | Industrial Connectors



FSA10K/16BV rapid connection system with replaceable contact claw

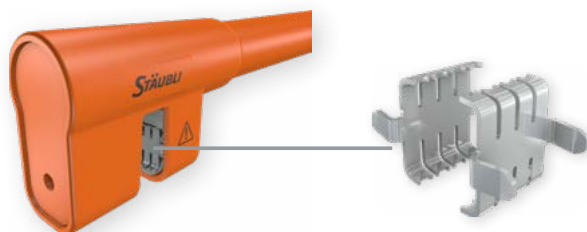
FSA10K/16BV



Flat bar clamp with socket connection 16BV specially designed for use on:

- Parallel busbars
- Bare, painted, or otherwise insulated busbars

Product features:

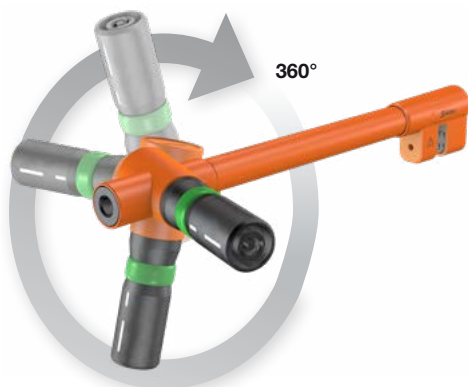


Patented replaceable contact claw



Extra narrow head and extra long design.

Termination with 16BV system.



360° rotation of handle.

Customer Benefits:

Service friendly and time saving

- Can break through insulated or painted busbars
- Easy to exchange worn/damaged contact elements

Maximum flexibility

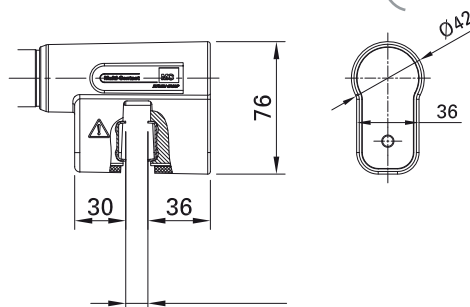
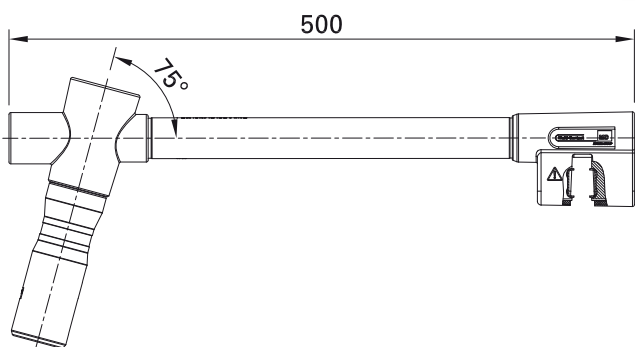
- For connection over several busbars
- For easier access to busbar in hard to reach positions
- Easy connection to existing 16BV system

Easy handling:

- Enables optimal access to busbars
- Reduces forces at the contact area

Quick and secure fastening to busbars

A torque limiter wrench tool is used to securely clamp and release the FSA10K to/from the busbars



Clamping range: 2-10

Technical data	
Rated current	530 A
Rated voltage	1000 V
Short-circuit current	12 kA, 1 s; 10 kA, 3 s
Rated peak withstand current	22 kA
Rated impulse voltage	8 kV
Overvoltage category/Pollution degree	CAT III/3
Temperature range	-40°C ... + 80°C
Clamping range	2 mm -10 mm
Thickness of busbar	5 ¹⁾ -10 mm
Tapping surfaces required on each side of the busbar	40 mm x 35 mm
Type of termination	Socket connection 16BV
Length	500 mm
Max. busbar insulation:	
- Lacquer coat thickness:	0,15 mm
- Insulating tape:	0,2 mm
- Heat-shrink tubing:	1 mm
Operating cycles	1000 depending on conditions (replaceable contact claw)

Order No.	Type	Description	*Colors
12.1274-*	FSA10K/IB16BV-SET	Rapid connection system with extra contact claw set	21 22 23 24 25 ²⁾
12.0501	FSA20-WZ	Torque wrench tool, 10 Nm	
12.1275	K-F-FSA10K CONTACT CLAW AG-SET	Contact claw set (1 pair)	
15.5268	DBT-KBT16NS	Protective cover to protect the connectors from dust and water when unmated	
12.1276	FSA10K-TC	Transport case, empty suited for 4 x FSA10K/16BV + 1 x FSA20-WZ	



Montageanleitung MA400

www.staubli.com/electrical

* Add the desired color code

¹⁾ The busbars need to be supported adequately to prevent twisting effects.

²⁾ Additional colors upon request



■ Stäubli Units ○ Agents

Global presence of the Stäubli Group

www.staubli.com